

JIS

JAPANESE
INDUSTRIAL
STANDARD

Translated and Published by
Japanese Standards Association

JIS B 2420-1 : 2018

**Micro O-rings—Part 1: Dimensions,
sizes and measuring methods**

ICS 23.100.60;83.140.50

Reference number : **JIS B 2420-1 : 2018 (E)**

B 2420-1 : 2018

Date of Establishment: 2018-03-20

Date of Public Notice in Official Gazette: 2018-03-20

Investigated by: Japanese Industrial Standards Committee

Standards Board for ISO area

Technical Committee on Machine Elements

JIS B 2420-1:2018, First English edition published in 2019-01

Translated and published by: Japanese Standards Association
Mita MT Building, 3-13-12, Mita, Minato-ku, Tokyo, 108-0073 JAPAN

In the event of any doubts arising as to the contents,
the original JIS is to be the final authority.

© JSA 2019

All rights reserved. Unless otherwise specified, no part of this publication may be reproduced or utilized in any form or by any means, electronic or mechanical, including photocopying and microfilm, without permission in writing from the publisher.

Printed in Japan

AT

PROTECTED BY COPYRIGHT

Contents

	Page
1 Scope	1
2 Term and definition	1
3 Shape	1
4 Size code, inside diameter, cross-sectional diameter, and tolerances on inside diameter and cross-sectional diameter	1
5 Measuring methods	2
6 Inspection	3
7 Marking	3
Annex A (informative) Example method of measuring O-ring dimensions	4

Foreword

This Japanese Industrial Standard has been established by the Minister of Economy, Trade and Industry, through deliberations at the Japanese Industrial Standards Committee in accordance with the Industrial Standardization Law.

This **JIS** document is protected by the Copyright Law.

Attention is drawn to the possibility that some parts of this Standard may conflict with patent rights, applications for a patent after opening to the public or utility model rights. The relevant Minister and the Japanese Industrial Standards Committee are not responsible for identifying any of such patent rights, applications for a patent after opening to the public or utility model rights.

JIS B 2420 series consists of the following 3 parts under the general title “*Micro O-rings*”:

Part 1: Dimensions, sizes and measuring methods

Part 2: Materials (to be established)

Part 3: Appearance quality acceptance criteria (to be established)

Micro O-rings—Part 1: Dimensions, sizes and measuring methods

1 Scope

This Japanese Industrial Standard specifies the dimensions, sizes and measuring methods of micro O-rings (hereafter referred to as O-rings) intended for precision and electronic applications.

2 Term and definition

For the purpose of this Standard, the following term and definition apply.

2.1

micro O-ring

toroidal squeeze packing with a circular cross-section, having a nominal inside diameter of 0.5 mm or under and nominal cross-sectional diameter of 0.5 mm or under

3 Shape

The shape of the O-ring shall be as shown in Figure 1.

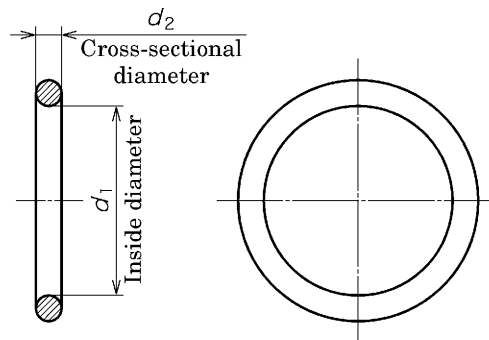


Figure 1 Shape of O-ring

4 Size code, inside diameter, cross-sectional diameter, and tolerances on inside diameter and cross-sectional diameter

Size code, inside diameter, cross-sectional diameter, and tolerances on inside diameter and cross-sectional diameter of O-rings are shown in Table 1. Other sizes than shown in Table 1 may be adopted upon agreement between the purchaser and the manufacturer.