

# FINAL VERSION

# VERSION FINALE



---

**LED modules for general lighting – Performance requirements**

**Modules de LED pour éclairage général – Exigences de performance**



## CONTENTS

FOREWORD.....	5
INTRODUCTION.....	8
1 Scope.....	9
1.2 General.....	9
1.3 Statement .....	10
2 Normative references .....	10
3 Terms and definitions .....	11
4 Marking .....	14
4.1 Mandatory marking .....	14
4.2 Additional marking .....	15
5 Dimensions.....	16
6 Test conditions .....	16
6.1 General test conditions .....	16
6.2 Creation of module families to reduce test effort .....	17
6.2.1 General .....	17
6.2.2 Variations within a family .....	17
6.2.3 Compliance testing of family members.....	18
7 Electrical LED module input.....	19
7.1 LED module power.....	19
7.2 Displacement factor (u.c.) .....	19
8 Light output .....	19
8.1 Luminous flux .....	19
8.2 Luminous intensity distribution, peak intensity and beam angle.....	19
8.2.1 General .....	19
8.2.2 Measurement.....	19
8.2.3 Luminous intensity distribution.....	20
8.2.4 Peak intensity value.....	20
8.2.5 Beam angle value .....	20
8.3 Luminous efficacy .....	20
9 Chromaticity coordinates, correlated colour temperature (CCT) and colour rendering.....	20
9.1 Chromaticity coordinates.....	20
9.2 Correlated colour temperature (CCT) .....	21
9.3 Colour rendering index (CRI) .....	21
10 LED module life .....	21
10.1 General.....	21
10.2 Lumen maintenance.....	22
10.3 Endurance tests .....	23
10.3.1 General .....	23
10.3.2 Temperature cycling test .....	23
10.3.3 Supply switching test .....	25
10.3.4 Accelerated operation life test .....	25
11 Verification .....	25
12 Information for luminaire design.....	26
Annex A (normative) Method of measuring LED module characteristics .....	27

A.1	General.....	27
A.2	Electrical characteristics .....	28
A.3	Photometric characteristics .....	28
A.3.1	General .....	28
A.3.2	Test voltage, current or power .....	28
A.3.3	Luminous flux .....	28
A.3.4	Luminous intensity distribution.....	28
A.3.5	Colour characteristics .....	28
Annex B	(informative) Information for luminaire design .....	29
B.1	Temperature stability .....	29
B.2	Binning procedure of white colour LEDs.....	29
B.3	Ingress protection .....	29
Annex C	(informative) Explanation of recommended LED product lifetime metrics .....	30
C.1	General.....	30
C.2	Life time specification for gradual light output degradation .....	31
C.3	Lifetime specification for abrupt light output degradation.....	32
C.4	Combined gradual and abrupt light output degradation .....	32
C.5	Overview of LED lifetime metrics and related lighting product groups.....	34
C.6	Example of lifetime metric values .....	35
Annex D	(normative) Explanation of the photometric code .....	37
Annex E	(normative) Measurement of displacement factor .....	38
E.1	General.....	38
E.2	Phase shift angle definition .....	38
E.3	Measurements requirements .....	39
E.3.1	Measurement circuit and supply source .....	39
E.3.2	Requirements for measurement equipment.....	39
E.3.3	Test conditions .....	39
Annex F	(informative) Explanation of displacement factor .....	40
F.1	General.....	40
F.2	Recommended values for displacement factor .....	41
Annex G	(informative) Examples of LED dies and LED packages.....	42
G.1	LED die.....	42
G.2	LED package .....	43
Annex H	(informative) Test equipment for temperature measurement .....	44
H.1	General.....	44
H.2	Set-up and procedure .....	44
Annex I	(informative) Use of ANSI/IES LM-80-15 for luminous flux maintenance and maintained chromaticity coordinates data .....	45
I.1	General.....	45
I.2	Criteria for the use of ANSI/IES LM-80-15.....	45
I.2.1	LED package data used for LED modules .....	45
I.2.2	LED module with ANSI/IES LM-80-15 data .....	45
I.2.3	Boundary conditions .....	45
I.3	Compliance criteria .....	46
I.3.1	Chromaticity coordinates .....	46
I.3.2	Luminous flux maintenance factor.....	46
Bibliography	.....	47

Figure 1 – Types of LED modules .....	9
Figure 2 – Luminous flux depreciation over test time.....	23
Figure C.1 – Light output over life of a LED-based luminaire comprised of a single LED module.....	30
Figure C.2 – Life time specification for gradual light output degradation.....	31
Figure C.3 – Reliability curve $R_{\text{abrupt}}$ for abrupt light output degradation .....	32
Figure C.4 – Reliability curve $R_{\text{gradual}}$ for gradual light output degradation .....	33
Figure C.5 – Combined $R_{\text{gradual}}$ and $R_{\text{abrupt}}$ degradation .....	34
Figure C.6 – Overview of LED lifetime metrics .....	35
Figure E.1 – Definition of the fundamental current phase shift angle $\phi_1$ ( $I_1$ leads $U_{\text{mains}}$ , $\phi_1 > 0$ ) .....	38
Figure E.2 – Definition of the fundamental current phase shift angle $\phi_1$ ( $I_1$ lags $U_{\text{mains}}$ , $\phi_1 < 0$ ) .....	39
Figure G.1 – Schematic drawings of LED dies .....	42
Figure G.2 – Schematic drawings of LED packages .....	43
Table 1 – Mandatory marking and location of marking <sup>1</sup> .....	15
Table 2 – LED module median useful life information.....	16
Table 3 – Optional marking and location of marking .....	16
Table 4 – Allowed variations within a family .....	18
Table 5 – Tolerance (categories) on rated chromaticity coordinate values.....	21
Table 6 – Lumen maintenance code at an operational time as stated in 6.1 .....	22
Table 7 – Sample sizes.....	26
Table C.1 – Examples of lifetime metric values for luminous flux maintenance factor ratings .....	36
Table C.2 – Examples of lifetime metric values for abrupt failure .....	36
Table C.3 – Examples of lifetime metric values of $x$ for median LED lamp life (combined failures) .....	36
Table C.4 – Examples of lifetime metric values .....	36
Table C.5 – Examples of metric values for LED module useful life $L_x B_y$ .....	36
Table F.1 – Recommended values for displacement factor.....	41

## INTERNATIONAL ELECTROTECHNICAL COMMISSION

# LED MODULES FOR GENERAL LIGHTING – PERFORMANCE REQUIREMENTS

## FOREWORD

- 1) The International Electrotechnical Commission (IEC) is a worldwide organization for standardization comprising all national electrotechnical committees (IEC National Committees). The object of IEC is to promote international co-operation on all questions concerning standardization in the electrical and electronic fields. To this end and in addition to other activities, IEC publishes International Standards, Technical Specifications, Technical Reports, Publicly Available Specifications (PAS) and Guides (hereafter referred to as "IEC Publication(s)"). Their preparation is entrusted to technical committees; any IEC National Committee interested in the subject dealt with may participate in this preparatory work. International, governmental and non-governmental organizations liaising with the IEC also participate in this preparation. IEC collaborates closely with the International Organization for Standardization (ISO) in accordance with conditions determined by agreement between the two organizations.
- 2) The formal decisions or agreements of IEC on technical matters express, as nearly as possible, an international consensus of opinion on the relevant subjects since each technical committee has representation from all interested IEC National Committees.
- 3) IEC Publications have the form of recommendations for international use and are accepted by IEC National Committees in that sense. While all reasonable efforts are made to ensure that the technical content of IEC Publications is accurate, IEC cannot be held responsible for the way in which they are used or for any misinterpretation by any end user.
- 4) In order to promote international uniformity, IEC National Committees undertake to apply IEC Publications transparently to the maximum extent possible in their national and regional publications. Any divergence between any IEC Publication and the corresponding national or regional publication shall be clearly indicated in the latter.
- 5) IEC itself does not provide any attestation of conformity. Independent certification bodies provide conformity assessment services and, in some areas, access to IEC marks of conformity. IEC is not responsible for any services carried out by independent certification bodies.
- 6) All users should ensure that they have the latest edition of this publication.
- 7) No liability shall attach to IEC or its directors, employees, servants or agents including individual experts and members of its technical committees and IEC National Committees for any personal injury, property damage or other damage of any nature whatsoever, whether direct or indirect, or for costs (including legal fees) and expenses arising out of the publication, use of, or reliance upon, this IEC Publication or any other IEC Publications.
- 8) Attention is drawn to the Normative references cited in this publication. Use of the referenced publications is indispensable for the correct application of this publication.
- 9) Attention is drawn to the possibility that some of the elements of this IEC Publication may be the subject of patent rights. IEC shall not be held responsible for identifying any or all such patent rights.

### **DISCLAIMER**

**This Consolidated version is not an official IEC Standard and has been prepared for user convenience. Only the current versions of the standard and its amendment(s) are to be considered the official documents.**

**This Consolidated version of IEC 62717 bears the edition number 1.2. It consists of the first edition (2014-12) [documents 34A/1796/FDIS and 34A/1817/RVD], its amendment 1 (2015-09) [documents 34A/1853/FDIS and 34A/1870/RVD] and its amendment 2 (2019-01) [documents 34A/2121/FDIS and 34A/2127/RVD]. The technical content is identical to the base edition and its amendment.**

**This Final version does not show where the technical content is modified by amendments 1 and 2. A separate Redline version with all changes highlighted is available in this publication.**

International Standard IEC 62717 has been prepared by subcommittee 34A: Lamps, of IEC technical committee 34: Lamps and related equipment.

This edition includes the following significant technical changes with respect to IEC PAS 62717.

- all terms and definitions are aligned with IEC 62504 and relevant documents of CIE. For example, general terms like “rated value” are shifted to IEC 62504.
- a statement on the applicability on a population is included.
- the normative references are completed and cleaned from standards that are not in use.
- with regard to EMC, references to harmonic currents are given.
- the change, which has an effect on most parts of the standard, is the split of failure mechanisms into abrupt failures and luminous flux depreciation. Consequently, new terms and definitions, new requirements for lumen maintenance and a complete new structure and contents of Annex C are introduced.
- transition from  $t_{pmax}$  to  $t_{prated}$  is made, with the background that there is not one  $t_{pmax}$ , but a choice of  $t_p(rated)$  values, in combination with lifetime.
- places where to mark (product, packaging, data sheets) are changed, and as a consequence of the split of failure mechanisms, new parameters are listed. Further, changes in the endurance test (ramping speed of temperature) are reflected in marking.
- the concept of displacement factor instead of power factor is introduced. This led to new definitions, requirements and Annexes E and F.
- the requirements on luminous efficacy are changed.
- the requirements, associated with the family concept are reviewed.
- statistics, based on confidence intervals are removed. This concerns requirements and limits for LED module power and luminous flux and deletion of Annex E.
- new requirements for lumen maintenance are introduced.
- as part of the endurance test, the maximum light decrease after accelerated operation life test is now fixed.
- with regard to the discussion on type test and sample size, the number of pieces in a test sample is drastically reduced, see Table 7.
- Annex A on measuring methods is completely restructured and reviewed, for example for ambient temperature and for shortening of stabilisation time when conducting subsequent light output measurements.
- for electrical characteristics, the ageing time may be chosen as 500 h.
- for photometric data file formats, reference is given to IEC 62722-1.
- mistakes in the photometric code (Annex D) are corrected.
- Annex G on optimised test duration is removed; instead, an INF sheet shall be published.
- from the luminaire standard, a new Annex H on “Test equipment for temperature measurement” is taken over.
- finally, the Bibliography is updated.

This publication has been drafted in accordance with the ISO/IEC Directives, Part 2.

In this standard, the following print types are used:

- requirements: roman type.
- *test specifications: italic type.*
- notes: smaller roman type.

The committee has decided that the contents of the base publication and its amendments will remain unchanged until the stability date indicated on the IEC web site under "<http://webstore.iec.ch>" in the data related to the specific publication. At this date, the publication will be

- reconfirmed,
- withdrawn,
- replaced by a revised edition, or
- amended.

**IMPORTANT – The 'colour inside' logo on the cover page of this publication indicates that it contains colours which are considered to be useful for the correct understanding of its contents. Users should therefore print this document using a colour printer.**

## INTRODUCTION

The first edition of a performance standard (precursor: IEC PAS 62717) for LED modules for general lighting applications acknowledges the need for relevant tests for this new source of electrical light, sometimes called “solid state lighting”. The publication is closely related to simultaneously developed performance standard publication (which also started with a Publicly Available Specification) for luminaires in general (IEC 62722-1) and for LED-luminaires (IEC 62722-2-1). Changes in the LED module standard will have an impact on the luminaire standards and vice versa, due to the behaviour of LED. Therefore, in the development of the present standard, a close collaboration between experts of both products has taken place.

The provisions in the standard represent the technical knowledge of experts from the fields of the semiconductor (LED chip) industry and of those of the traditional electrical light sources.

Three types of LED-modules are covered: with integral controlgear, with means of control on board, but with separate controlgear (“semi-ballasted”), and with complete separate controlgear.

## LED MODULES FOR GENERAL LIGHTING – PERFORMANCE REQUIREMENTS

### 1 Scope

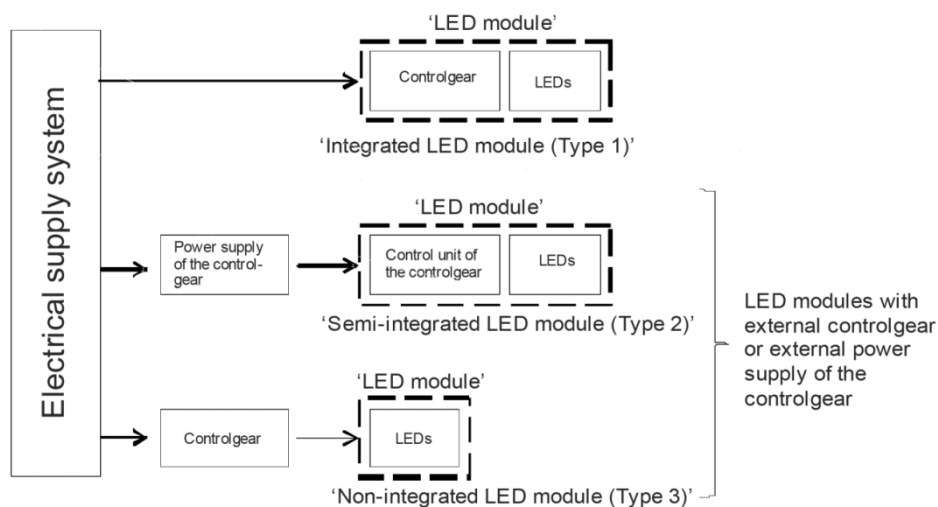
#### 1.2 General

This International Standard specifies the performance requirements for LED modules, together with the test methods and conditions, required to show compliance with this standard. The following types of LED modules are distinguished and schematically shown in Figure 1:

Type 1: integrated LED modules for use on d.c. supplies up to 250 V or on a.c. supplies up to 1 000 V at 50 Hz or 60 Hz.

Type 2: LED modules operating with part of separate controlgear connected to the mains voltage, and having further control means inside (“semi-integrated”) for operation under constant voltage, constant current or constant power.

Type 3: LED modules where the complete controlgear is separate from the module (non-integrated) for operation under constant voltage, constant current or constant power.



IEC

The power supply of the controlgear for semi-ballasted LED modules (Type 2) is an electronic device capable of controlling currents, voltage or power within design limits.

The control unit of the controlgear for semi-ballasted LED modules (Type 2) is an electronic device to control the electrical energy to the LEDs.

A LED module with separate controlgear can be either a non-ballasted LED module or a semi-ballasted LED module.

**Figure 1 – Types of LED modules**

The requirements of this standard relate only to type testing.

Recommendations for whole product testing or batch testing are under consideration.