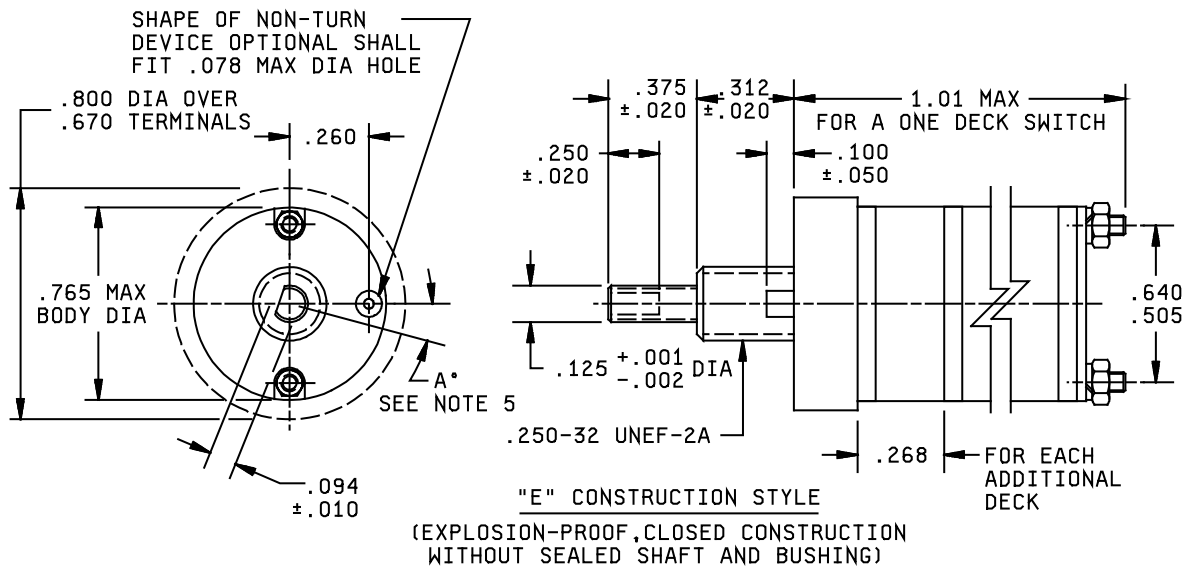


DETAIL SPECIFICATION SHEET

SWITCH, ROTARY, CLOSED CONSTRUCTION, .500 AMPERE, STYLE SR13

This specification sheet is approved for use by all Departments and Agencies of the Department of Defense.

The requirements for acquiring the product described herein shall consist of this specification sheet and MIL-DTL-3786.



NOTES:

1. Dimensions are in inches.
2. Metric equivalents are given for general information only.
3. Unless otherwise specified, tolerances are $\pm .015$ (0.38 mm) and $\pm 3^\circ$ on angles (nonaccumulative).
4. Maximum weight: one deck switch is 19 grams. Add 2.5 max grams for each additional deck and based upon 1 oz. = 28.35 grams.
5. Shaft-flat angle A° is the angle between a line through the center of the shaft, perpendicular to the mounting bushing flats and another line through the center of the shaft and perpendicular to the shaft flat, with switch in position No. 1. This refers to panel position; see figure 2 for terminal location.

FIGURE 1. Style SR13 switch.

