

INTERNATIONAL STANDARD

NORME INTERNATIONALE

**Connectors for electrical and electronic equipment –
Part 1: Detail specification for two-way, shielded or unshielded, free and fixed
connectors – Mechanical mating information, pin assignment and additional
requirements for Type 1 copper LC style**

**Connecteurs pour équipements électriques et électroniques –
Partie 1: Spécification particulière pour les fiches et les embases
bidirectionnelles, écrantées ou non écrantées – Informations sur l'accouplement
mécanique, brochage et exigences supplémentaires pour connecteur LC de type
1 à doigts de guidage en cuivre**



THIS PUBLICATION IS COPYRIGHT PROTECTED
Copyright © 2020 IEC, Geneva, Switzerland

All rights reserved. Unless otherwise specified, no part of this publication may be reproduced or utilized in any form or by any means, electronic or mechanical, including photocopying and microfilm, without permission in writing from either IEC or IEC's member National Committee in the country of the requester. If you have any questions about IEC copyright or have an enquiry about obtaining additional rights to this publication, please contact the address below or your local IEC member National Committee for further information.

Droits de reproduction réservés. Sauf indication contraire, aucune partie de cette publication ne peut être reproduite ni utilisée sous quelque forme que ce soit et par aucun procédé, électronique ou mécanique, y compris la photocopie et les microfilms, sans l'accord écrit de l'IEC ou du Comité national de l'IEC du pays du demandeur. Si vous avez des questions sur le copyright de l'IEC ou si vous désirez obtenir des droits supplémentaires sur cette publication, utilisez les coordonnées ci-après ou contactez le Comité national de l'IEC de votre pays de résidence.

IEC Central Office
3, rue de Varembe
CH-1211 Geneva 20
Switzerland

Tel.: +41 22 919 02 11
info@iec.ch
www.iec.ch

About the IEC

The International Electrotechnical Commission (IEC) is the leading global organization that prepares and publishes International Standards for all electrical, electronic and related technologies.

About IEC publications

The technical content of IEC publications is kept under constant review by the IEC. Please make sure that you have the latest edition, a corrigendum or an amendment might have been published.

IEC publications search - webstore.iec.ch/advsearchform

The advanced search enables to find IEC publications by a variety of criteria (reference number, text, technical committee,...). It also gives information on projects, replaced and withdrawn publications.

IEC Just Published - webstore.iec.ch/justpublished

Stay up to date on all new IEC publications. Just Published details all new publications released. Available online and once a month by email.

IEC Customer Service Centre - webstore.iec.ch/csc

If you wish to give us your feedback on this publication or need further assistance, please contact the Customer Service Centre: sales@iec.ch.

Electropedia - www.electropedia.org

The world's leading online dictionary on electrotechnology, containing more than 22 000 terminological entries in English and French, with equivalent terms in 16 additional languages. Also known as the International Electrotechnical Vocabulary (IEV) online.

IEC Glossary - std.iec.ch/glossary

67 000 electrotechnical terminology entries in English and French extracted from the Terms and Definitions clause of IEC publications issued since 2002. Some entries have been collected from earlier publications of IEC TC 37, 77, 86 and CISPR.

A propos de l'IEC

La Commission Electrotechnique Internationale (IEC) est la première organisation mondiale qui élabore et publie des Normes internationales pour tout ce qui a trait à l'électricité, à l'électronique et aux technologies apparentées.

A propos des publications IEC

Le contenu technique des publications IEC est constamment revu. Veuillez vous assurer que vous possédez l'édition la plus récente, un corrigendum ou amendement peut avoir été publié.

Recherche de publications IEC - webstore.iec.ch/advsearchform

La recherche avancée permet de trouver des publications IEC en utilisant différents critères (numéro de référence, texte, comité d'études,...). Elle donne aussi des informations sur les projets et les publications remplacées ou retirées.

IEC Just Published - webstore.iec.ch/justpublished

Restez informé sur les nouvelles publications IEC. Just Published détaille les nouvelles publications parues. Disponible en ligne et une fois par mois par email.

Service Clients - webstore.iec.ch/csc

Si vous désirez nous donner des commentaires sur cette publication ou si vous avez des questions contactez-nous: sales@iec.ch.

Electropedia - www.electropedia.org

Le premier dictionnaire d'électrotechnologie en ligne au monde, avec plus de 22 000 articles terminologiques en anglais et en français, ainsi que les termes équivalents dans 16 langues additionnelles. Egalement appelé Vocabulaire Electrotechnique International (IEV) en ligne.

Glossaire IEC - std.iec.ch/glossary

67 000 entrées terminologiques électrotechniques, en anglais et en français, extraites des articles Termes et Définitions des publications IEC parues depuis 2002. Plus certaines entrées antérieures extraites des publications des CE 37, 77, 86 et CISPR de l'IEC.

INTERNATIONAL STANDARD

NORME INTERNATIONALE

**Connectors for electrical and electronic equipment –
Part 1: Detail specification for two-way, shielded or unshielded, free and fixed
connectors – Mechanical mating information, pin assignment and additional
requirements for Type 1 copper LC style**

**Connecteurs pour équipements électriques et électroniques –
Partie 1: Spécification particulière pour les fiches et les embases
bidirectionnelles, écrantées ou non écrantées – Informations sur l'accouplement
mécanique, brochage et exigences supplémentaires pour connecteur LC de type
1 à doigts de guidage en cuivre**

INTERNATIONAL
ELECTROTECHNICAL
COMMISSION

COMMISSION
ELECTROTECHNIQUE
INTERNATIONALE

ICS 31.220.10

ISBN 978-2-8322-8076-8

**Warning! Make sure that you obtained this publication from an authorized distributor.
Attention! Veuillez vous assurer que vous avez obtenu cette publication via un distributeur agréé.**

CONTENTS

FOREWORD.....	4
INTRODUCTION.....	6
1 Scope.....	8
2 Normative references	8
3 Terms and definitions	9
4 Technical information	10
4.1 Compatibility level – Interoperability.....	10
4.2 Unshielded connectors.....	10
4.3 Use of UTP cable.....	10
5 Common features and typical connector pair	10
5.1 Mating information	10
5.1.1 General	10
5.1.2 Contacts – Mating conditions.....	11
5.1.3 Fixed connector.....	12
5.1.4 Free connector	15
6 Characteristics	16
6.1 General.....	16
6.2 Classification into climatic category	16
6.3 Electrical characteristics	17
6.3.1 General	17
6.3.2 Creepage and clearance distances	17
6.3.3 Contact resistance – Interface only (separable fixed and free contact).....	17
6.3.4 Input to output DC resistance	18
6.3.5 Input to output DC resistance unbalanced.....	18
6.3.6 Voltage proof.....	18
6.3.7 Current-temperature derating.....	18
6.3.8 Initial insulation resistance	18
6.4 Transmission characteristics	18
6.4.1 General	18
6.4.2 Insertion loss (IL).....	19
6.4.3 Return loss (RL)	19
6.4.4 Transverse conversion loss (TCL)	19
6.4.5 Transfer conversion transfer loss (TCTL).....	19
6.4.6 Power sum alien near-end crosstalk loss (PS ANEXT).....	19
6.4.7 Power sum alien far-end crosstalk loss (PS AFEXT).....	20
6.4.8 Transfer impedance (shielded only).....	20
6.4.9 Coupling attenuation.....	20
6.5 Mechanical characteristics	20
6.5.1 Mechanical operation.....	20
6.5.2 Effectiveness of connector coupling devices	20
6.5.3 Insertion and withdrawal forces	20
7 Tests and test schedule.....	21
7.1 General.....	21
7.2 Arrangement for contact resistance measurement.....	21
7.3 Arrangement for vibration test (test phase CP1).....	22
7.4 Test procedures and measuring methods.....	22

7.5	Preconditioning	22
8	Test schedules	23
8.1	Basic (minimum) test schedule.....	23
8.2	Full test schedule.....	23
8.2.1	General	23
8.2.2	Test group P – Preliminary	23
8.2.3	Test group AP – Climatic	24
8.2.4	Test group BP – Mechanical	25
8.2.5	Test group CP – Vibration.....	26
8.2.6	Test group DP – Electrical load	27
8.2.7	Test group EP – Electrical transmission.....	27
8.2.8	Test group GP – Transfer Impedance and Coupling Attenuation	28
Annex A	(normative) Locking-device mechanical operation	29
A.1	Object.....	29
A.2	Preparation of the specimen	29
A.3	Test method.....	29
A.4	Final measurements.....	29
Bibliography	30
Figure 1	– Relationships between the IEC 63171 series and its related references	7
Figure 2	– Connector overview	7
Figure 3	– Mated fixed and free connectors	11
Figure 4	– Fixed connector	13
Figure 5	– Fixed connector pin detail (detail A from Figure 4c) section D-D)	14
Figure 6	– Free connector.....	15
Figure 7	– Arrangement for contact resistance measurement.....	21
Figure 8	– Arrangement for vibration test.....	22
Table 1	– Dimensions for Figure 4a), Figure 4b) and Figure 4c).....	13
Table 2	– Dimensions for Figure 5	14
Table 3	– Dimensions for Figure 6a) and Figure 6b).....	16
Table 4	– Creepage and clearance distances.....	17
Table 5	– Test group P	23
Table 6	– Test group AP	24
Table 7	– Test group BP	25
Table 8	– Test group CP	26
Table 9	– Test group DP	27
Table 10	– Test Group EP.....	27
Table 11	– Test Group GP	28

INTERNATIONAL ELECTROTECHNICAL COMMISSION

CONNECTORS FOR ELECTRICAL AND ELECTRONIC EQUIPMENT –**Part 1: Detail specification for two-way, shielded or unshielded, free and fixed connectors – Mechanical mating information, pin assignment and additional requirements for Type 1 copper LC style**

FOREWORD

- 1) The International Electrotechnical Commission (IEC) is a worldwide organization for standardization comprising all national electrotechnical committees (IEC National Committees). The object of IEC is to promote international co-operation on all questions concerning standardization in the electrical and electronic fields. To this end and in addition to other activities, IEC publishes International Standards, Technical Specifications, Technical Reports, Publicly Available Specifications (PAS) and Guides (hereafter referred to as "IEC Publication(s)"). Their preparation is entrusted to technical committees; any IEC National Committee interested in the subject dealt with may participate in this preparatory work. International, governmental and non-governmental organizations liaising with the IEC also participate in this preparation. IEC collaborates closely with the International Organization for Standardization (ISO) in accordance with conditions determined by agreement between the two organizations.
- 2) The formal decisions or agreements of IEC on technical matters express, as nearly as possible, an international consensus of opinion on the relevant subjects since each technical committee has representation from all interested IEC National Committees.
- 3) IEC Publications have the form of recommendations for international use and are accepted by IEC National Committees in that sense. While all reasonable efforts are made to ensure that the technical content of IEC Publications is accurate, IEC cannot be held responsible for the way in which they are used or for any misinterpretation by any end user.
- 4) In order to promote international uniformity, IEC National Committees undertake to apply IEC Publications transparently to the maximum extent possible in their national and regional publications. Any divergence between any IEC Publication and the corresponding national or regional publication shall be clearly indicated in the latter.
- 5) IEC itself does not provide any attestation of conformity. Independent certification bodies provide conformity assessment services and, in some areas, access to IEC marks of conformity. IEC is not responsible for any services carried out by independent certification bodies.
- 6) All users should ensure that they have the latest edition of this publication.
- 7) No liability shall attach to IEC or its directors, employees, servants or agents including individual experts and members of its technical committees and IEC National Committees for any personal injury, property damage or other damage of any nature whatsoever, whether direct or indirect, or for costs (including legal fees) and expenses arising out of the publication, use of, or reliance upon, this IEC Publication or any other IEC Publications.
- 8) Attention is drawn to the Normative references cited in this publication. Use of the referenced publications is indispensable for the correct application of this publication.
- 9) Attention is drawn to the possibility that some of the elements of this IEC Publication may be the subject of patent rights. IEC shall not be held responsible for identifying any or all such patent rights.

International Standard IEC 63171-1 has been prepared by subcommittee 48B: Electrical connectors of IEC technical committee 48: Electrical connectors and mechanical structures for electrical and electronic equipment.

The text of this International Standard is based on the following documents:

FDIS	Report on voting
48B/2783/FDIS	48B/2799/RVD

Full information on the voting for the approval of this International Standard can be found in the report on voting indicated in the above table.

This document has been drafted in accordance with the ISO/IEC Directives, Part 2.

A list of all parts in the IEC 63171 series, published under the general title *Connectors for electrical and electronic components*, can be found on the IEC website.

The committee has decided that the contents of this document will remain unchanged until the stability date indicated on the IEC website under "<http://webstore.iec.ch>" in the data related to the specific document. At this date, the document will be

- reconfirmed,
- withdrawn,
- replaced by a revised edition, or
- amended.

INTRODUCTION

The International Electrotechnical Commission (IEC) draws attention to the fact that it is claimed that compliance with this document may involve the use of a patent concerning contact mating surface dimensions given in 5.1.

The IEC takes no position concerning the evidence, validity and scope of this patent right.

The holder of the patent right on contact mating surface dimensions in 5.1 has assured the IEC that they are willing to give free licences to applicants throughout the world. In this respect, the statement of the holder of this patent right is registered with the IEC

Information may be obtained from:

CommScope Technologies, LLC
501 Shenandoah Drive
Shakopee, Minnesota
USA 55379

Attention is drawn to the possibility that some of the elements of this International Standard may be the subject of patent rights other than those identified above. IEC shall not be held responsible for identifying any or all such patent rights.

ISO (www.iso.org/patents) and IEC (<http://patents.iec.ch>) maintain on-line data bases of patents relevant to their standards. Users are encouraged to consult the data bases for the most up to date information concerning patents.

IEC 63171 is the base specification of the whole series. Subsequent specifications do not duplicate information given in the base document, but list only additional requirements. For complete specification regarding a component of a higher number document the base numbered documents should be considered as well. The following diagram (see Figure 1) shows the interrelation of the documents:

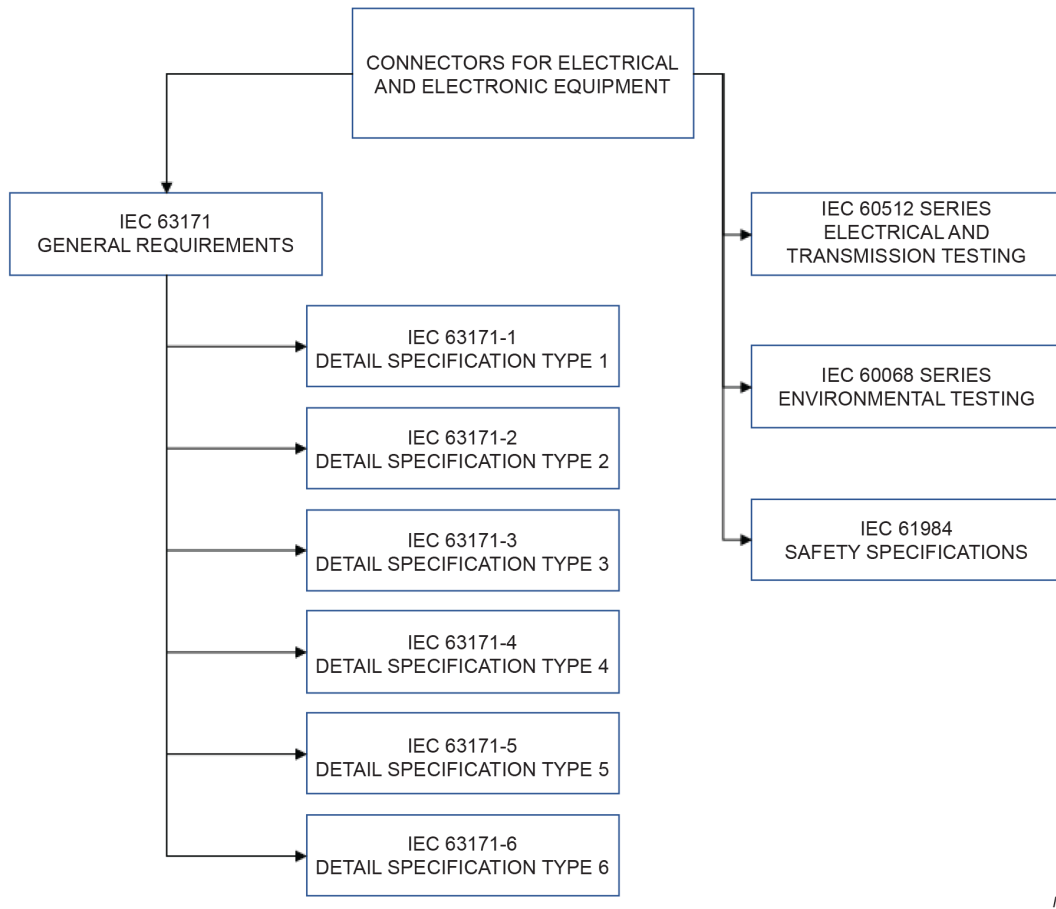
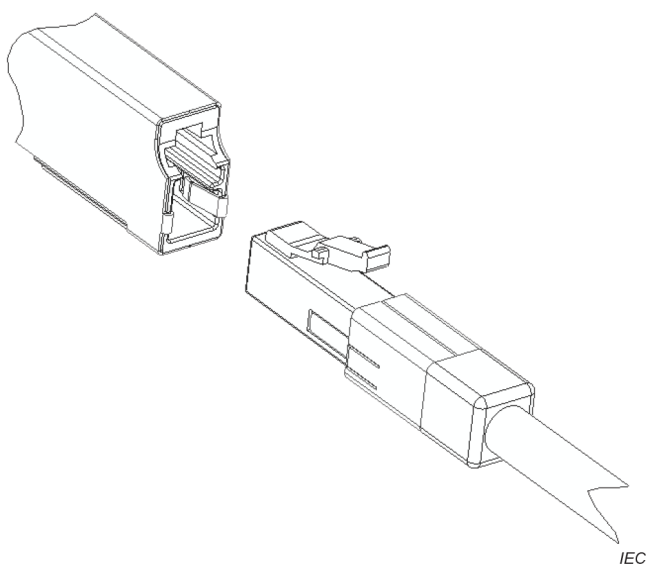


Figure 1 – Relationships between the IEC 63171 series and its related references

International Electrotechnical Commission

IEC 63171-1 Ed1

Subcommittee 48B: Electrical connectors



Two-way, free and fixed connectors for data transmission up to 600 MHz (and with current carrying capacity up to 2,0 A at 60° C.)

Fixed connectors are mounted on printed circuit board or bulk head, the free connector is terminated on shielded or unshielded wire.

View showing typical fixed and free connectors

Figure 2 – Connector overview

CONNECTORS FOR ELECTRICAL AND ELECTRONIC EQUIPMENT –

Part 1: Detail specification for two-way, shielded or unshielded, free and fixed connectors – Mechanical mating information, pin assignment and additional requirements for Type 1 copper LC style

1 Scope

This part of IEC 63171 covers two-way, shielded or unshielded, free and fixed connectors for data transmission with frequencies up to 600 MHz and with current carrying capacity up to 2,0 A at 60 °C. It is intended to specify the common dimensions, mechanical, electrical, signal integrity, environmental characteristics, reliability specifications and corresponding tests for these connectors.

2 Normative references

The following documents are referred to in the text in such a way that some or all of their content constitutes requirements of this document. For dated references, only the edition cited applies. For undated references, the latest edition of the reference document (including any amendments) applies.

IEC 60050-581, *International Electrotechnical Vocabulary (IEV) – Chapter 581: Electromechanical components for electronic equipment*

IEC 60068-1, *Environmental testing – Part 1: General and guidance*

IEC 60512-1, *Connectors for electrical and electronic equipment – Tests and measurements – Part 1: Generic specification*

IEC 60512-1-1, *Connectors for electronic equipment – Tests and measurements – Part 1-1: General examination – Test 1a: Visual examination*

IEC 60512-1-2, *Connectors for electronic equipment – Tests and measurements – Part 1-2: General examination – Test 1b: Examination of dimension and mass*

IEC 60512-2-1, *Connectors for electronic equipment – Tests and measurements – Part 2-1: Electrical continuity and contact resistance tests – Test 2a: Contact resistance – Millivolt level method*

IEC 60512-2-5, *Connectors for electronic equipment – Tests and measurements – Part 2-5: Electrical continuity and contact resistance tests – Test 2e: Contact disturbance*

IEC 60512-3-1, *Connectors for electronic equipment – Tests and measurements – Part 3-1: Insulation tests – Test 3a: Insulation resistance*

IEC 60512-4-1, *Connectors for electronic equipment – Tests and measurements – Part 4-1: Voltage stress tests – Test 4a: Voltage proof*

IEC 60512-5-2, *Connectors for electronic equipment – Tests and measurements – Part 5-2: Current-carrying capacity tests – Test 5b: Current-temperature derating*