

INTERNATIONAL STANDARD

NORME INTERNATIONALE

**Connectors for electrical and electronic equipment – Product requirements –
Part 3-119: Rectangular connectors – Detail specification for shielded and unshielded,
free and fixed 10-way connectors with push-pull coupling for industrial environments
for data transmission with frequencies up to 100 MHz**

**Connecteurs pour équipements électriques et électroniques – Exigences de produit –
Partie 3-119: Connecteurs rectangulaires – Spécification particulière pour les fiches et
les embases rectangulaires écrantées et non écrantées à 10 pôles, à accouplement
pousser-tirer, destinées à être utilisées dans des environnements industriels, pour les
transmissions de données avec des fréquences allant jusqu'à 100 MHz**



THIS PUBLICATION IS COPYRIGHT PROTECTED

Copyright © 2017 IEC, Geneva, Switzerland

All rights reserved. Unless otherwise specified, no part of this publication may be reproduced or utilized in any form or by any means, electronic or mechanical, including photocopying and microfilm, without permission in writing from either IEC or IEC's member National Committee in the country of the requester. If you have any questions about IEC copyright or have an enquiry about obtaining additional rights to this publication, please contact the address below or your local IEC member National Committee for further information.

Droits de reproduction réservés. Sauf indication contraire, aucune partie de cette publication ne peut être reproduite ni utilisée sous quelque forme que ce soit et par aucun procédé, électronique ou mécanique, y compris la photocopie et les microfilms, sans l'accord écrit de l'IEC ou du Comité national de l'IEC du pays du demandeur. Si vous avez des questions sur le copyright de l'IEC ou si vous désirez obtenir des droits supplémentaires sur cette publication, utilisez les coordonnées ci-après ou contactez le Comité national de l'IEC de votre pays de résidence.

IEC Central Office
3, rue de Varembe
CH-1211 Geneva 20
Switzerland

Tel.: +41 22 919 02 11
info@iec.ch
www.iec.ch

About the IEC

The International Electrotechnical Commission (IEC) is the leading global organization that prepares and publishes International Standards for all electrical, electronic and related technologies.

About IEC publications

The technical content of IEC publications is kept under constant review by the IEC. Please make sure that you have the latest edition, a corrigendum or an amendment might have been published.

IEC publications search - webstore.iec.ch/advsearchform

The advanced search enables to find IEC publications by a variety of criteria (reference number, text, technical committee,...). It also gives information on projects, replaced and withdrawn publications.

IEC Just Published - webstore.iec.ch/justpublished

Stay up to date on all new IEC publications. Just Published details all new publications released. Available online and once a month by email.

IEC Customer Service Centre - webstore.iec.ch/csc

If you wish to give us your feedback on this publication or need further assistance, please contact the Customer Service Centre: sales@iec.ch.

Electropedia - www.electropedia.org

The world's leading online dictionary on electrotechnology, containing more than 22 000 terminological entries in English and French, with equivalent terms in 16 additional languages. Also known as the International Electrotechnical Vocabulary (IEV) online.

IEC Glossary - std.iec.ch/glossary

67 000 electrotechnical terminology entries in English and French extracted from the Terms and Definitions clause of IEC publications issued since 2002. Some entries have been collected from earlier publications of IEC TC 37, 77, 86 and CISPR.

A propos de l'IEC

La Commission Electrotechnique Internationale (IEC) est la première organisation mondiale qui élabore et publie des Normes internationales pour tout ce qui a trait à l'électricité, à l'électronique et aux technologies apparentées.

A propos des publications IEC

Le contenu technique des publications IEC est constamment revu. Veuillez vous assurer que vous possédez l'édition la plus récente, un corrigendum ou amendement peut avoir été publié.

Recherche de publications IEC -

webstore.iec.ch/advsearchform

La recherche avancée permet de trouver des publications IEC en utilisant différents critères (numéro de référence, texte, comité d'études,...). Elle donne aussi des informations sur les projets et les publications remplacées ou retirées.

IEC Just Published - webstore.iec.ch/justpublished

Restez informé sur les nouvelles publications IEC. Just Published détaille les nouvelles publications parues. Disponible en ligne et une fois par mois par email.

Service Clients - webstore.iec.ch/csc

Si vous désirez nous donner des commentaires sur cette publication ou si vous avez des questions contactez-nous: sales@iec.ch.

Electropedia - www.electropedia.org

Le premier dictionnaire d'électrotechnologie en ligne au monde, avec plus de 22 000 articles terminologiques en anglais et en français, ainsi que les termes équivalents dans 16 langues additionnelles. Egalement appelé Vocabulaire Electrotechnique International (IEV) en ligne.

Glossaire IEC - std.iec.ch/glossary

67 000 entrées terminologiques électrotechniques, en anglais et en français, extraites des articles Termes et Définitions des publications IEC parues depuis 2002. Plus certaines entrées antérieures extraites des publications des CE 37, 77, 86 et CISPR de l'IEC.

INTERNATIONAL STANDARD

NORME INTERNATIONALE

**Connectors for electrical and electronic equipment – Product requirements –
Part 3-119: Rectangular connectors – Detail specification for shielded and unshielded,
free and fixed 10-way connectors with push-pull coupling for industrial environments
for data transmission with frequencies up to 100 MHz**

**Connecteurs pour équipements électriques et électroniques – Exigences de produit –
Partie 3-119: Connecteurs rectangulaires – Spécification particulière pour les fiches et
les embases rectangulaires écrantées et non écrantées à 10 pôles, à accouplement
pousser-tirer, destinées à être utilisées dans des environnements industriels, pour les
transmissions de données avec des fréquences allant jusqu'à 100 MHz**

INTERNATIONAL
ELECTROTECHNICAL
COMMISSION

COMMISSION
ELECTROTECHNIQUE
INTERNATIONALE

ICS 31.220.10

ISBN 978-2-8322-8929-7

**Warning! Make sure that you obtained this publication from an authorized distributor.
Attention! Veuillez vous assurer que vous avez obtenu cette publication via un distributeur agréé.**

CONTENTS

FOREWORD.....	5
INTRODUCTION.....	7
1 Scope.....	9
2 Normative references	9
3 Terms and definitions	11
4 Technical information	12
4.1 Ratings and characteristics	12
4.1.1 Rated current.....	12
4.1.2 Rated voltage	12
4.1.3 Insulation resistance.....	12
4.1.4 Voltage proof.....	12
4.2 Performance levels	12
4.3 Compatibility levels.....	12
4.4 Climatic categories	12
4.5 Clearance and creepage distances	12
4.6 Marking.....	13
5 Dimensional information	13
5.1 General.....	13
5.2 Isometric view and common features	13
5.3 Engagement (mating) information – Contact levels and sequencing	13
5.4 Fixed connectors	14
5.4.1 Dimensions.....	14
5.4.2 Terminations.....	15
5.5 Free connectors	15
5.5.1 Dimensions.....	15
5.5.2 Terminations.....	17
5.5.3 Accessories.....	17
5.6 Mounting information for connectors – Mounting on panels	17
5.7 Gauges – Sizing gauges and retention force gauges.....	18
6 Characteristics	19
6.1 General.....	19
6.2 Pin assignment and other definitions.....	19
6.3 Classification into climatic categories.....	19
6.4 Electrical characteristics	19
6.4.1 Creepage and clearance distances	19
6.4.2 Voltage proof.....	19
6.4.3 Current-carrying capacity.....	19
6.4.4 Contact resistance	19
6.4.5 Shield to shield resistance	20
6.4.6 Insulation resistance.....	20
6.5 Transmission characteristics	20
6.5.1 General	20
6.5.2 Insertion loss	20
6.5.3 Return loss	20
6.5.4 NEXT.....	20
6.5.5 FEXT	21

6.5.6	Transverse conversion loss	21
6.5.7	Transverse conversion transfer loss	21
6.5.8	Transfer Impedance.....	21
6.6	Mechanical characteristics	21
6.6.1	Mechanical operation.....	21
6.6.2	Effectiveness of connector coupling devices	21
6.6.3	Insertion and withdrawal forces	21
6.6.4	Contact retention in insert.....	22
6.6.5	Polarizing and coding method.....	22
6.7	Other characteristics	22
6.7.1	Vibration (sine).....	22
6.7.2	Shock	22
6.7.3	Degree of protection provided by enclosures (IP-code).....	22
6.7.4	Screen and shielding properties.....	22
6.8	Environmental aspects	22
6.8.1	Marking of insulation material (plastics).....	22
6.8.2	Design/use of material	22
7	Test schedule	22
7.1	General.....	22
7.1.1	Introductory remarks.....	22
7.1.2	Climatic category	23
7.1.3	Clearance and creepage distances	23
7.1.4	Arrangement for contact and shield resistance measurement	23
7.1.5	Arrangement for dynamic stress tests	23
7.1.6	Arrangement for testing static load; axial	24
7.1.7	Wiring of specimens	24
7.2	Test schedules.....	24
7.2.1	Basic (minimum) test schedule	24
7.2.2	Full test schedule	24
7.3	Test procedures and measuring methods.....	34
7.4	Pre-conditioning.....	34
7.5	Wiring and mounting of specimens.....	34
7.5.1	Wiring.....	34
7.5.2	Mounting	34
	Figure 1 – Fixed (male) and free (female) connector	13
	Figure 2 – Fixed connector	14
	Figure 3 – Free connector.....	16
	Figure 4 – Panel cut-out.....	18
	Figure 5 – Gauge.....	18
	Figure 6 – Contact / shield resistance arrangement	23
	Figure 7 – Connector vibration and shock test arrangement.....	24
	Table 1 – Climatic category.....	12
	Table 2 – Dimensions of the fixed connector.....	15
	Table 3 – Dimensions of the free connector	17
	Table 4 – Panel cut-out.....	18

Table 5 – Gauge dimensions.....	19
Table 6 – Number of test specimens and contacts	25
Table 7 – Test group P	25
Table 8 – Test group AP	26
Table 9 – Test group BP	28
Table 10 – Test group CP	30
Table 11 – Test group DP	31
Table 12 – Test group EP	32
Table 13 – Test group HP	33

INTERNATIONAL ELECTROTECHNICAL COMMISSION

**CONNECTORS FOR ELECTRICAL AND ELECTRONIC EQUIPMENT –
PRODUCT REQUIREMENTS –****Part 3-119: Rectangular connectors – Detail specification for shielded and
unshielded, free and fixed 10-way connectors with push-pull coupling
for industrial environments for data transmission with frequencies
up to 100 MHz**

FOREWORD

- 1) The International Electrotechnical Commission (IEC) is a worldwide organization for standardization comprising all national electrotechnical committees (IEC National Committees). The object of IEC is to promote international co-operation on all questions concerning standardization in the electrical and electronic fields. To this end and in addition to other activities, IEC publishes International Standards, Technical Specifications, Technical Reports, Publicly Available Specifications (PAS) and Guides (hereafter referred to as “IEC Publication(s)”). Their preparation is entrusted to technical committees; any IEC National Committee interested in the subject dealt with may participate in this preparatory work. International, governmental and non-governmental organizations liaising with the IEC also participate in this preparation. IEC collaborates closely with the International Organization for Standardization (ISO) in accordance with conditions determined by agreement between the two organizations.
- 2) The formal decisions or agreements of IEC on technical matters express, as nearly as possible, an international consensus of opinion on the relevant subjects since each technical committee has representation from all interested IEC National Committees.
- 3) IEC Publications have the form of recommendations for international use and are accepted by IEC National Committees in that sense. While all reasonable efforts are made to ensure that the technical content of IEC Publications is accurate, IEC cannot be held responsible for the way in which they are used or for any misinterpretation by any end user.
- 4) In order to promote international uniformity, IEC National Committees undertake to apply IEC Publications transparently to the maximum extent possible in their national and regional publications. Any divergence between any IEC Publication and the corresponding national or regional publication shall be clearly indicated in the latter.
- 5) IEC itself does not provide any attestation of conformity. Independent certification bodies provide conformity assessment services and, in some areas, access to IEC marks of conformity. IEC is not responsible for any services carried out by independent certification bodies.
- 6) All users should ensure that they have the latest edition of this publication.
- 7) No liability shall attach to IEC or its directors, employees, servants or agents including individual experts and members of its technical committees and IEC National Committees for any personal injury, property damage or other damage of any nature whatsoever, whether direct or indirect, or for costs (including legal fees) and expenses arising out of the publication, use of, or reliance upon, this IEC Publication or any other IEC Publications.
- 8) Attention is drawn to the Normative references cited in this publication. Use of the referenced publications is indispensable for the correct application of this publication.
- 9) Attention is drawn to the possibility that some of the elements of this IEC Publication may be the subject of patent rights. IEC shall not be held responsible for identifying any or all such patent rights.

International Standard IEC 61076-3-119 has been prepared by subcommittee 48B: Electrical connectors, of IEC technical committee 48: Electrical connectors and mechanical structures for electrical and electronic equipment.

This first edition cancels and replaces IEC PAS 61076-3-119 published in 2013. This edition constitutes a technical revision.

The text of this International Standard is based on the following documents:

FDIS	Report on voting
48B/2602/FDIS	48B/2617/RVD

Full information on the voting for the approval of this International Standard can be found in the report on voting indicated in the above table.

This document has been drafted in accordance with the ISO/IEC Directives, Part 2.

A list of all parts in the IEC 61076 series, published under the general title *Connectors for electronic equipment – Product requirements*, can be found on the IEC website.

The committee has decided that the contents of this document will remain unchanged until the stability date indicated on the IEC website under "<http://webstore.iec.ch>" in the data related to the specific document. At this date, the document will be

- reconfirmed,
- withdrawn,
- replaced by a revised edition, or
- amended.

INTRODUCTION

The International Electrotechnical Commission (IEC) draws attention to the fact that it is claimed that compliance with this document may involve the use of a patent concerning connectors given in this specification.

The IEC takes no position concerning the evidence, validity and scope of this patent right.

The holder of this patent right has assured the IEC that he is willing to give free licences with applicants throughout the world. In this respect, the statement of the holder of this patent right is registered with the IEC.

Information may be obtained from:

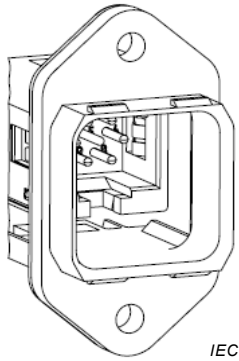
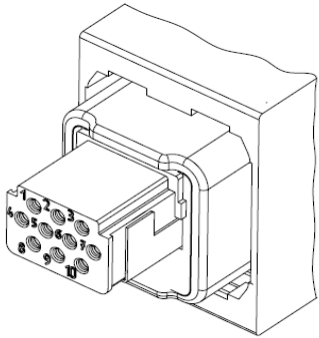
HARTING KGaA
Marienwerderstrasse 3
32339 Espelkamp
Germany

and

Weidmüller Interface GmbH & Co. KG
Klingenbergstraße 16
32758 Detmold
Germany

Attention is drawn to the possibility that some of the elements of this International Standard may be the subject of patent rights other than those identified above. IEC shall not be held responsible for identifying any or all such patent rights.

ISO (www.iso.org/patents) and IEC (<http://patents.iec.ch>) maintain on-line data bases of patents relevant to their standards. Users are encouraged to consult the data bases for the most up to date information concerning patents.

<p>IEC SC 48B – Connector specifications available from: IEC General secretariat or from the addresses shown on the inside cover.</p>		<p>IEC 61076-3-119 Ed. 1.0</p>
<p>ELECTRONIC COMPONENTS DETAIL SPECIFICATION in accordance with IEC 61076-1</p>		
<p>Outline drawing</p>  <p>IEC</p>	 <p>IEC</p>	<p>10-way rectangular connector</p> <p>round contacts Ø 1 mm</p> <p>screw or crimp terminations, solder or printed board connections upon agreement between manufacturer and user</p> <p>shielded and unshielded, free and fixed</p> <p>for data transmission with frequencies up to 100 MHz</p> <p>with push-pull coupling</p>
		<p>Fixed and free connectors, for industrial environments</p>

CONNECTORS FOR ELECTRICAL AND ELECTRONIC EQUIPMENT – PRODUCT REQUIREMENTS –

Part 3-119: Rectangular connectors – Detail specification for shielded and unshielded, free and fixed 10-way connectors with push-pull coupling for industrial environments for data transmission with frequencies up to 100 MHz

1 Scope

This part of IEC 61076-3 establishes specifications and test requirements for 10-way shielded and unshielded rectangular, free and fixed connectors, with push-pull coupling, for data transmission with frequencies up to 100 MHz and for use in industrial environments.

This document specifies free and fixed connectors with round contacts, suitable for screw or crimp terminations. Other terminations techniques, such as solder or printed board connections are upon agreement between manufacturer and user. The free and fixed connectors have a push-pull locking mechanism for IP65 and IP67 protection according to IEC 60529.

Connectors according this document are without breaking capacity COC according to 3.9 of IEC 61984:2008, therefore they are not intended to be engaged or disengaged in normal use when live or under load, if not otherwise specified by the manufacturer.

2 Normative references

The following documents are referred to in the text in such a way that some or all of their content constitutes requirements of this document. For dated references, only the edition cited applies. For undated references, the latest edition of the referenced document (including any amendments) applies.

IEC 60050-581:2008, *International Electrotechnical Vocabulary – Part 581: Electromechanical components for electronic equipment*

IEC 60068-1, *Environmental testing – Part 1: General and guidance*

IEC 60068-2-20:2008, *Environmental testing – Part 2-20: Tests – Test T: Test methods for solderability and resistance to soldering heat of devices with leads*

IEC 60352-2, *Solderless connections – Part 2: Crimped connections – General requirements, test methods and practical guidance*

IEC 60352-5, *Solderless connections – Part 5: Press-in connections – General requirements, test methods and practical guidance*

IEC 60512-1-1, *Connectors for electronic equipment – Tests and measurements – Part 1-1: General examination – Test 1a: Visual examination*

IEC 60512-1-2, *Connectors for electronic equipment – Tests and measurements – Part 1-2: General examination – Test 1b: Examination of dimension and mass*