

INTERNATIONAL STANDARD

NORME INTERNATIONALE



LED modules for general lighting – Performance requirements

Modules de LED pour éclairage général – Exigences de performance



THIS PUBLICATION IS COPYRIGHT PROTECTED

Copyright © 2015 IEC, Geneva, Switzerland

All rights reserved. Unless otherwise specified, no part of this publication may be reproduced or utilized in any form or by any means, electronic or mechanical, including photocopying and microfilm, without permission in writing from either IEC or IEC's member National Committee in the country of the requester. If you have any questions about IEC copyright or have an enquiry about obtaining additional rights to this publication, please contact the address below or your local IEC member National Committee for further information.

Droits de reproduction réservés. Sauf indication contraire, aucune partie de cette publication ne peut être reproduite ni utilisée sous quelque forme que ce soit et par aucun procédé, électronique ou mécanique, y compris la photocopie et les microfilms, sans l'accord écrit de l'IEC ou du Comité national de l'IEC du pays du demandeur. Si vous avez des questions sur le copyright de l'IEC ou si vous désirez obtenir des droits supplémentaires sur cette publication, utilisez les coordonnées ci-après ou contactez le Comité national de l'IEC de votre pays de résidence.

IEC Central Office
3, rue de Varembe
CH-1211 Geneva 20
Switzerland

Tel.: +41 22 919 02 11
Fax: +41 22 919 03 00
info@iec.ch
www.iec.ch

About the IEC

The International Electrotechnical Commission (IEC) is the leading global organization that prepares and publishes International Standards for all electrical, electronic and related technologies.

About IEC publications

The technical content of IEC publications is kept under constant review by the IEC. Please make sure that you have the latest edition, a corrigenda or an amendment might have been published.

IEC Catalogue - webstore.iec.ch/catalogue

The stand-alone application for consulting the entire bibliographical information on IEC International Standards, Technical Specifications, Technical Reports and other documents. Available for PC, Mac OS, Android Tablets and iPad.

IEC publications search - www.iec.ch/searchpub

The advanced search enables to find IEC publications by a variety of criteria (reference number, text, technical committee,...). It also gives information on projects, replaced and withdrawn publications.

IEC Just Published - webstore.iec.ch/justpublished

Stay up to date on all new IEC publications. Just Published details all new publications released. Available online and also once a month by email.

Electropedia - www.electropedia.org

The world's leading online dictionary of electronic and electrical terms containing more than 30 000 terms and definitions in English and French, with equivalent terms in 15 additional languages. Also known as the International Electrotechnical Vocabulary (IEV) online.

IEC Glossary - std.iec.ch/glossary

More than 60 000 electrotechnical terminology entries in English and French extracted from the Terms and Definitions clause of IEC publications issued since 2002. Some entries have been collected from earlier publications of IEC TC 37, 77, 86 and CISPR.

IEC Customer Service Centre - webstore.iec.ch/csc

If you wish to give us your feedback on this publication or need further assistance, please contact the Customer Service Centre: csc@iec.ch.

A propos de l'IEC

La Commission Electrotechnique Internationale (IEC) est la première organisation mondiale qui élabore et publie des Normes internationales pour tout ce qui a trait à l'électricité, à l'électronique et aux technologies apparentées.

A propos des publications IEC

Le contenu technique des publications IEC est constamment revu. Veuillez vous assurer que vous possédez l'édition la plus récente, un corrigendum ou amendement peut avoir été publié.

Catalogue IEC - webstore.iec.ch/catalogue

Application autonome pour consulter tous les renseignements bibliographiques sur les Normes internationales, Spécifications techniques, Rapports techniques et autres documents de l'IEC. Disponible pour PC, Mac OS, tablettes Android et iPad.

Recherche de publications IEC - www.iec.ch/searchpub

La recherche avancée permet de trouver des publications IEC en utilisant différents critères (numéro de référence, texte, comité d'études,...). Elle donne aussi des informations sur les projets et les publications remplacées ou retirées.

IEC Just Published - webstore.iec.ch/justpublished

Restez informé sur les nouvelles publications IEC. Just Published détaille les nouvelles publications parues. Disponible en ligne et aussi une fois par mois par email.

Electropedia - www.electropedia.org

Le premier dictionnaire en ligne de termes électroniques et électriques. Il contient plus de 30 000 termes et définitions en anglais et en français, ainsi que les termes équivalents dans 15 langues additionnelles. Egalement appelé Vocabulaire Electrotechnique International (IEV) en ligne.

Glossaire IEC - std.iec.ch/glossary

Plus de 60 000 entrées terminologiques électrotechniques, en anglais et en français, extraites des articles Termes et Définitions des publications IEC parues depuis 2002. Plus certaines entrées antérieures extraites des publications des CE 37, 77, 86 et CISPR de l'IEC.

Service Clients - webstore.iec.ch/csc

Si vous désirez nous donner des commentaires sur cette publication ou si vous avez des questions contactez-nous: csc@iec.ch.



IEC 62717

Edition 1.1 2015-09
CONSOLIDATED VERSION

INTERNATIONAL STANDARD

NORME INTERNATIONALE



LED modules for general lighting – Performance requirements

Modules de LED pour éclairage général – Exigences de performance

INTERNATIONAL
ELECTROTECHNICAL
COMMISSION

COMMISSION
ELECTROTECHNIQUE
INTERNATIONALE

ICS 29.140.99

ISBN 978-2-8322-2940-8

**Warning! Make sure that you obtained this publication from an authorized distributor.
Attention! Veuillez vous assurer que vous avez obtenu cette publication via un distributeur agréé.**

REDLINE VERSION

VERSION REDLINE



LED modules for general lighting – Performance requirements

Modules de LED pour éclairage général – Exigences de performance

CONTENTS

FOREWORD.....	5
INTRODUCTION.....	8
1 Scope.....	9
1.1 General.....	9
1.2 Statement.....	10
2 Normative references.....	10
3 Terms and definitions.....	11
4 Marking.....	14
4.1 Mandatory marking.....	14
4.2 Additional marking.....	15
5 Dimensions.....	16
6 Test conditions.....	16
6.1 General test conditions.....	16
6.2 Creation of module families to reduce test effort.....	17
6.2.1 General.....	17
6.2.2 Variations within a family.....	17
6.2.3 Compliance testing of family members.....	18
7 Electrical LED module input.....	19
7.1 LED module power.....	19
7.2 Displacement factor (u.c.).....	19
8 Light output.....	19
8.1 Luminous flux.....	19
8.2 Luminous intensity distribution, peak intensity and beam angle.....	19
8.2.1 General.....	19
8.2.2 Measurement.....	19
8.2.3 Luminous intensity distribution.....	20
8.2.4 Peak intensity value.....	20
8.2.5 Beam angle value.....	20
8.3 Luminous efficacy.....	20
9 Chromaticity coordinates, correlated colour temperature (CCT) and colour rendering.....	20
9.1 Chromaticity coordinates.....	20
9.2 Correlated colour temperature (CCT).....	21
9.3 Colour rendering index (CRI).....	21
10 LED module life.....	22
10.1 General.....	22
10.2 Lumen maintenance.....	22
10.3 Endurance tests.....	23
10.3.1 General.....	23
10.3.2 Temperature cycling test.....	24
10.3.3 Supply switching test.....	25
10.3.4 Accelerated operation life test.....	25
11 Verification.....	26
12 Information for luminaire design.....	26

Annex A (normative) Method of measuring LED module characteristics	27
A.1 General.....	27
A.2 Electrical characteristics	28
A.2.1 Test voltage, current or power	28
A.2.2 Ageing	28
A.3 Photometric characteristics	28
A.3.1 Test voltage, current or power	28
A.3.2 Luminous flux	28
A.3.3 Luminous intensity distribution.....	28
A.3.4 Peak intensity.....	29
A.3.5 Beam angle	29
A.3.6 Colour rendering.....	29
A.3.7 Chromaticity coordinate values	29
Annex B (informative) Information for luminaire design	30
B.1 Temperature stability	30
B.2 Binning procedure of white colour LEDs.....	30
B.3 Ingress protection	30
Annex C (informative) Explanation of recommended LED product lifetime metrics.....	31
C.1 General.....	31
C.2 Life time specification for gradual light output degradation	32
C.3 Lifetime specification for abrupt light output degradation.....	33
C.4 Combined gradual and abrupt light output degradation	33
C.5 Overview of LED lifetime metrics and related lighting product groups.....	35
C.6 Example lifetime metric values.....	36
Annex D (normative) Explanation of the photometric code	38
Annex E (normative) Measurement of displacement factor	39
E.1 General.....	39
E.2 Phase shift angle definition	39
E.3 Measurements requirements	40
E.3.1 Measurement circuit and supply source	40
E.3.2 Requirements for measurement equipment.....	40
E.3.3 Test conditions	40
Annex F (informative) Explanation of displacement factor	41
F.1 General.....	41
F.2 Recommended values for displacement factor	42
Annex G (informative) Examples of LED dies and LED packages.....	43
G.1 LED die.....	43
G.2 LED package	44
Annex H (informative) Test equipment for temperature measurement	45
H.1 General.....	45
H.2 Set-up and procedure	45
Annex I (normative) Use of IES LM-80 for lumen maintenance, colour rendering index and maintained chromaticity coordinates data	46
I.1 General.....	46
I.2 Criteria for the use of IES LM-80.....	46
I.2.1 LED package data used for LED modules	46
I.2.2 LED module with IES LM-80 data	46
I.2.3 Boundary conditions	46

I.3	Compliance criteria	47
I.3.1	Chromaticity coordinates	47
I.3.2	Colour rendering index (CRI)	47
I.3.3	Lumen maintenance factor	47
	Bibliography	48
Figure 1	– Types of LED modules	9
Figure 2	– Luminous flux depreciation over test time	23
Figure C.1	– Lumen output over life of a LED-based luminaire comprised of a single LED module	31
Figure C.2	– Life time specification for gradual light output degradation	32
Figure C.3	– Reliability curve R_{abrupt} for abrupt light output degradation	33
Figure C.4	– Reliability curve R_{gradual} for gradual light output degradation	34
Figure C.5	– Combined R_{gradual} and R_{abrupt} degradation	35
Figure C.6	– Overview of LED lifetime metrics	36
Figure E.1	– Definition of the fundamental current phase shift angle ϕ_1 (I_1 leads U_{mains} , $\phi_1 > 0$)	39
Figure E.2	– Definition of the fundamental current phase shift angle ϕ_1 (I_1 lags U_{mains} , $\phi_1 < 0$)	40
Figure G.1	– Schematic drawings of LED dies	43
Figure G.2	– Schematic drawings of LED packages	44
Table 1	– Mandatory marking and location of marking ¹	15
Table 2	– LED module life time information	16
Table 3	– Optional marking and location of marking	16
Table 4	– Allowed variations within a family	18
Table 5	– Tolerance (categories) on rated chromaticity coordinate values	21
Table 6	– Lumen maintenance code at an operational time as stated in 6.1	22
Table 7	– Sample sizes	26
Table C.1	– Example lifetime metric values for lumen maintenance factor ratings	36
	numbers in %	36
Table C.2	– Example lifetime metric values for abrupt failure	37
	numbers in %	37
Table C.3	– Example lifetime metric values of x for median LED lamp life (combined failures)	37
	numbers in %	37
Table C.4	– Example lifetime metric values	37
Table F.1	– Recommended values for displacement factor	42

INTERNATIONAL ELECTROTECHNICAL COMMISSION

LED MODULES FOR GENERAL LIGHTING – PERFORMANCE REQUIREMENTS

FOREWORD

- 1) The International Electrotechnical Commission (IEC) is a worldwide organization for standardization comprising all national electrotechnical committees (IEC National Committees). The object of IEC is to promote international co-operation on all questions concerning standardization in the electrical and electronic fields. To this end and in addition to other activities, IEC publishes International Standards, Technical Specifications, Technical Reports, Publicly Available Specifications (PAS) and Guides (hereafter referred to as "IEC Publication(s)"). Their preparation is entrusted to technical committees; any IEC National Committee interested in the subject dealt with may participate in this preparatory work. International, governmental and non-governmental organizations liaising with the IEC also participate in this preparation. IEC collaborates closely with the International Organization for Standardization (ISO) in accordance with conditions determined by agreement between the two organizations.
- 2) The formal decisions or agreements of IEC on technical matters express, as nearly as possible, an international consensus of opinion on the relevant subjects since each technical committee has representation from all interested IEC National Committees.
- 3) IEC Publications have the form of recommendations for international use and are accepted by IEC National Committees in that sense. While all reasonable efforts are made to ensure that the technical content of IEC Publications is accurate, IEC cannot be held responsible for the way in which they are used or for any misinterpretation by any end user.
- 4) In order to promote international uniformity, IEC National Committees undertake to apply IEC Publications transparently to the maximum extent possible in their national and regional publications. Any divergence between any IEC Publication and the corresponding national or regional publication shall be clearly indicated in the latter.
- 5) IEC itself does not provide any attestation of conformity. Independent certification bodies provide conformity assessment services and, in some areas, access to IEC marks of conformity. IEC is not responsible for any services carried out by independent certification bodies.
- 6) All users should ensure that they have the latest edition of this publication.
- 7) No liability shall attach to IEC or its directors, employees, servants or agents including individual experts and members of its technical committees and IEC National Committees for any personal injury, property damage or other damage of any nature whatsoever, whether direct or indirect, or for costs (including legal fees) and expenses arising out of the publication, use of, or reliance upon, this IEC Publication or any other IEC Publications.
- 8) Attention is drawn to the Normative references cited in this publication. Use of the referenced publications is indispensable for the correct application of this publication.
- 9) Attention is drawn to the possibility that some of the elements of this IEC Publication may be the subject of patent rights. IEC shall not be held responsible for identifying any or all such patent rights.

This consolidated version of the official IEC Standard and its amendment has been prepared for user convenience.

IEC 62717 edition 1.1 contains the first edition (2014-12) [documents 34A/1796/FDIS and 34A/1817/RVD] and its amendment 1 (2015-09) [documents 34A/1853/FDIS and 34A/1870/RVD].

In this Redline version, a vertical line in the margin shows where the technical content is modified by amendment 1. Additions are in green text, deletions are in strikethrough red text. A separate Final version with all changes accepted is available in this publication.

International Standard IEC 62717 has been prepared by subcommittee 34A: Lamps, of IEC technical committee 34: Lamps and related equipment.

This edition includes the following significant technical changes with respect to IEC PAS 62717.

- all terms and definitions are aligned with IEC 62504 and relevant documents of CIE. For example, general terms like “rated value” are shifted to IEC 62504.
- a statement on the applicability on a population is included.
- the normative references are completed and cleaned from standards that are not in use.
- with regard to EMC, references to harmonic currents are given.
- the change, which has an effect on most parts of the standard, is the split of failure mechanisms into abrupt failures and luminous flux depreciation. Consequently, new terms and definitions, new requirements for lumen maintenance and a complete new structure and contents of Annex C are introduced.
- transition from t_{pmax} to t_{prated} is made, with the background that there is not one t_{pmax} , but a choice of $t_{p(rated)}$ values, in combination with lifetime.
- places where to mark (product, packaging, data sheets) are changed, and as a consequence of the split of failure mechanisms, new parameters are listed. Further, changes in the endurance test (ramping speed of temperature) are reflected in marking.
- the concept of displacement factor instead of power factor is introduced. This led to new definitions, requirements and Annexes E and F.
- the requirements on luminous efficacy are changed.
- the requirements, associated with the family concept are reviewed.
- statistics, based on confidence intervals are removed. This concerns requirements and limits for LED module power and luminous flux and deletion of Annex E.
- new requirements for lumen maintenance are introduced.
- as part of the endurance test, the maximum light decrease after accelerated operation life test is now fixed.
- with regard to the discussion on type test and sample size, the number of pieces in a test sample is drastically reduced, see Table 7.
- Annex A on measuring methods is completely restructured and reviewed, for example for ambient temperature and for shortening of stabilisation time when conducting subsequent light output measurements.
- for electrical characteristics, the ageing time may be chosen as 500 h.
- for photometric data file formats, reference is given to IEC 62722-1.
- mistakes in the photometric code (Annex D) are corrected.
- Annex G on optimised test duration is removed; instead, an INF sheet shall be published.
- from the luminaire standard, a new Annex H on “Test equipment for temperature measurement” is taken over.
- finally, the Bibliography is updated.

This publication has been drafted in accordance with the ISO/IEC Directives, Part 2.

In this standard, the following print types are used:

- requirements: roman type.
- *test specifications: italic type.*
- notes: smaller roman type.

The committee has decided that the contents of the base publication and its amendment will remain unchanged until the stability date indicated on the IEC web site under "<http://webstore.iec.ch>" in the data related to the specific publication. At this date, the publication will be

- reconfirmed,
- withdrawn,
- replaced by a revised edition, or
- amended.

IMPORTANT – The 'colour inside' logo on the cover page of this publication indicates that it contains colours which are considered to be useful for the correct understanding of its contents. Users should therefore print this document using a colour printer.

INTRODUCTION

The first edition of a performance standard (precursor: IEC PAS 62717) for LED modules for general lighting applications acknowledges the need for relevant tests for this new source of electrical light, sometimes called “solid state lighting”. The publication is closely related to simultaneously developed performance standard publication (which also started with a Publicly Available Specification) for luminaires in general (IEC 62722-1) and for LED-luminaires (IEC 62722-2-1). Changes in the LED module standard will have an impact on the luminaire standards and vice versa, due to the behaviour of LED. Therefore, in the development of the present standard, a close collaboration between experts of both products has taken place.

The provisions in the standard represent the technical knowledge of experts from the fields of the semiconductor (LED chip) industry and of those of the traditional electrical light sources.

Three types of LED-modules are covered: with integral controlgear, with means of control on board, but with separate controlgear (“semi-ballasted”), and with complete separate controlgear.

LED MODULES FOR GENERAL LIGHTING – PERFORMANCE REQUIREMENTS

1 Scope

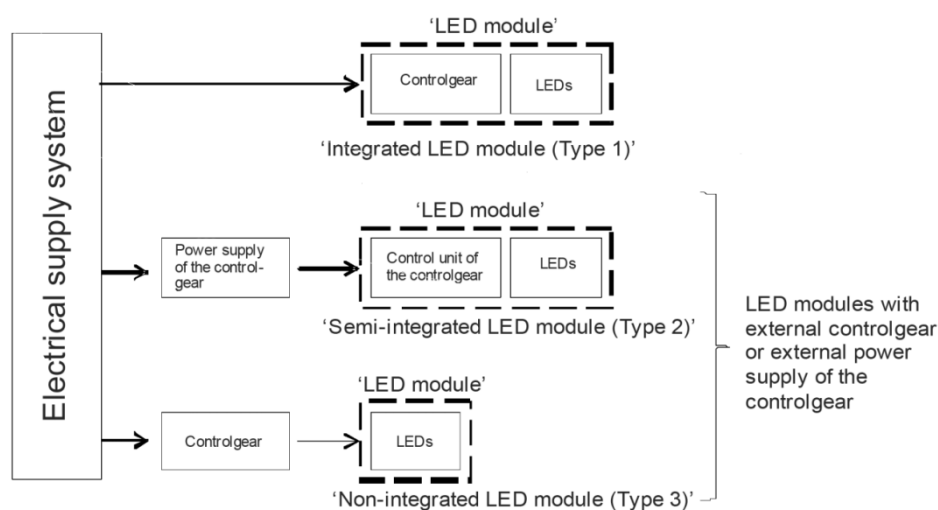
1.1 General

This International Standard specifies the performance requirements for LED modules, together with the test methods and conditions, required to show compliance with this standard. The following types of LED modules are distinguished and schematically shown in Figure 1:

Type 1: integrated LED modules for use on d.c. supplies up to 250 V or on a.c. supplies up to 1 000 V at 50 Hz or 60 Hz.

Type 2: LED modules operating with part of separate controlgear connected to the mains voltage, and having further control means inside (“semi-integrated”) for operation under constant voltage, constant current or constant power.

Type 3: LED modules where the complete controlgear is separate from the module (non-integrated) for operation under constant voltage, constant current or constant power.



IEC

The power supply of the controlgear for semi-ballasted LED modules (Type 2) is an electronic device capable of controlling currents, voltage or power within design limits.

The control unit of the controlgear for semi-ballasted LED modules (Type 2) is an electronic device to control the electrical energy to the LEDs.

A LED module with separate controlgear can be either a non-ballasted LED module or a semi-ballasted LED module.

Figure 1 – Types of LED modules

The requirements of this standard relate only to type testing.

Recommendations for whole product testing or batch testing are under consideration.